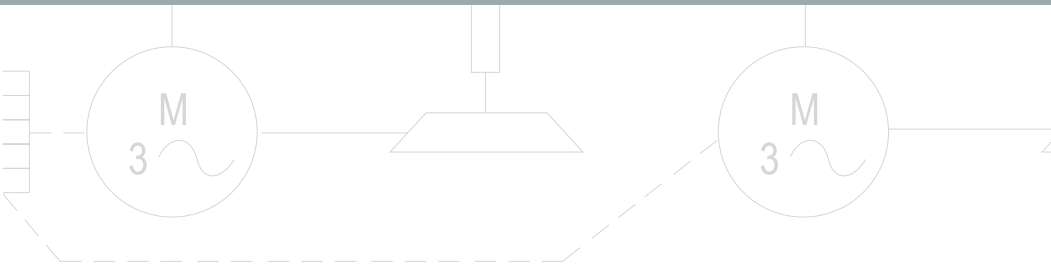
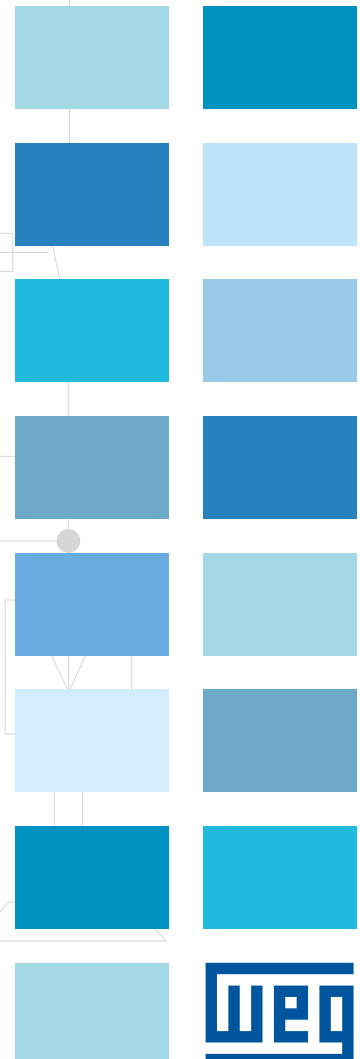
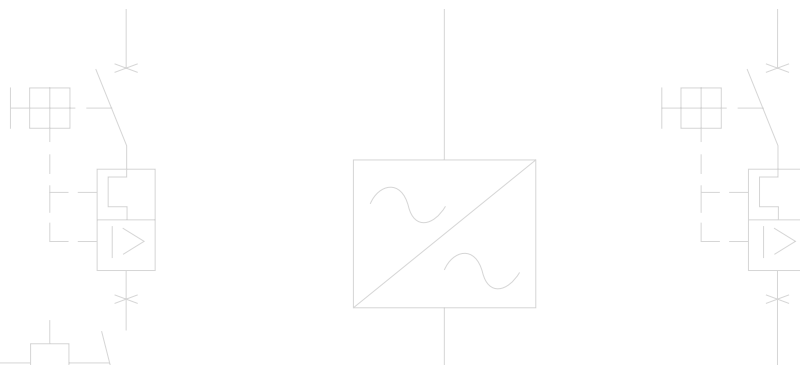


# Automation

## Pushbuttons and Pilot Lights Line Overview



## Double Pushbutton - IP66

### Black Frame

#### Without Illumination

LETTERING	Symbol	Part Number
0		CSW2-BDF2110 WH
START STOP		CSW2-BDF21LD WH
START STOP		CSW2-BDF21SS WH
0		CSW2-BDF0510 WH
START STOP		CSW2-BDF05SS WH
+ -		CSW2-BDF55PN WH
↑ ↓		CSW2-BDF55FR WH

#### Illuminated

Symbol	Part Number
	CSW2-BDFI2110 WH
	CSW2-BDFI21LD WH
	CSW2-BDFI21SS WH
	CSW2-BDFI0510 WH
	CSW2-BDFI05SS WH
	CSW2-BDFI55PN WH
	CSW2-BDFI55FR WH

### Metal-Coated Frame

#### Without Illumination

Symbol	Part Number
	CSW2-BDFC2110 WH
	CSW2-BDFC21LD WH
	CSW2-BDFC21SS WH
	CSW2-BDFC0510 WH
	CSW2-BDFC05SS WH
	CSW2-BDFC55PN WH
	CSW2-BDFC55FR WH

#### Illuminated

Symbol	Part Number
	CSW2-BDFIC2110 WH
	CSW2-BDFIC21LD WH
	CSW2-BDFIC21SS WH
	CSW2-BDFIC0510 WH
	CSW2-BDFIC05SS WH
	CSW2-BDFIC55PN WH
	CSW2-BDFIC55FR WH



## Extended Double Pushbutton - IP66

### Black Frame

#### Without Illumination

LETTERING	Symbol	Part Number
0		CSW2-BDS21 WH
START STOP		CSW2-BDS21LD WH
START STOP		CSW2-BDS2110 WH
0		CSW2-BDS0510 WH
START STOP		CSW2-BDS05SS WH

#### Illuminated

Symbol	Part Number
	CSW2-BDSI2110 WH
	CSW2-BDSI21LD WH
	CSW2-BDSI21SS WH
	CSW2-BDSI0510 WH
	CSW2-BDSI05SS WH

### Metal-Coated Frame

#### Without Illumination

Symbol	Part Number
	CSW2-BDSC21 WH
	CSW2-BDSC21LD WH
	CSW2-BDSC2110 WH
	CSW2-BDSC0510 WH
	CSW2-BDSC05SS WH

#### Illuminated

Symbol	Part Number
	CSW2-BDSIC2110 WH
	CSW2-BDSIC21LD WH
	CSW2-BDSIC21SS WH
	CSW2-BDSIC0510 WH
	CSW2-BDSIC05SS WH



## Triple Pushbutton - IP66

### Black Frame

#### Without Illumination

LETTERING	Symbol	Part Number	LETTERING	Symbol	Part Number	LETTERING	Symbol	Part Number	LETTERING	Symbol	Part Number
STOP		CSW2-BTF2121IIS WH	STOP		CSW2-BTF515FRD WH	STOP		CSW2-BTF515PNS WH	RESET 0		CSW2-BTF045IOR WH
STOP		CSW2-BTF2121RLS WH	STOP		CSW2-BTF015FRS WH	STOP		CSW2-BTF515PND WH	START RESET STOP		CSW2-BTF045SSR WH
STOP		CSW2-BTF2121FRS WH	STOP		CSW2-BTF015RLS WH	RESET 0		CSW2-BTF2411ORM WH	START RESET STOP		CSW2-BTF241LDRM WH
STOP		CSW2-BTF515FRS WH	STOP		CSW2-BTF2121PNS WH	RESET 0		CSW2-BTF2411OR WH	START RESET STOP		CSW2-BTF241LDR WH



### Metal-Coated Frame

#### Without Illumination

LETTERING	Symbol	Part Number	LETTERING	Symbol	Part Number
+ STOP		CSW2-BTFC515PNS WH	START RESET STOP		CSW2-BTFC045SSR WH
+ STOP		CSW2-BTFC515PND WH	RESET 0		CSW2-BTFC045IOR WH
RESET 0		CSW2-BTFC2411ORM WH	START RESET STOP		CSW2-BTFC241LDRM WH
RESET 0		CSW2-BTFC2411OR WH	START RESET STOP		CSW2-BTFC241LDR WH

## Extended Triple Pushbutton - IP66

### Black Frame

#### Without Illumination

LETTERING	Symbol	Part Number
RESET 0		CSW2-BTS2411ORM WH
RESET 0		CSW2-BTS2411OR WH
START RESET STOP		CSW2-BTS241LDRM WH
START RESET STOP		CSW2-BTS241LDR WH

### Metal-Coated Frame

#### Without Illumination

Symbol	Part Number
	CSW2-BTSC2411ORM WH
	CSW2-BTSC2411OR WH
	CSW2-BTSC241LDRM WH
	CSW2-BTSC241LDR WH



## Pushbuttons - IP66

### Flush

- CSW-BF0 WH
- CSW-BF1 WH
- CSW-BF2 WH
- CSW-BF3 WH
- CSW-BF4 WH
- CSW-BF5 WH



### Guarded

- CSW-BGA0 WH
- CSW-BGA1 WH
- CSW-BGA2 WH
- CSW-BGA3 WH
- CSW-BGA4 WH
- CSW-BGA5 WH



### Extended<sup>1)</sup>

- CSW-BS0 WH
- CSW-BS1 WH
- CSW-BS2 WH
- CSW-BS3 WH
- CSW-BS4 WH
- CSW-BS5 WH



### Flush Pushbutton

- CSW-BF10 WH
- CSW-BF11 WH
- CSW-BF12 WH
- CSW-BF13 WH
- CSW-BF14 WH
- CSW-BF16 WH<sup>2)</sup>



### Extended Illuminated

- CSW-BSI0 WH
- CSW-BSI1 WH
- CSW-BSI2 WH
- CSW-BSI3 WH
- CSW-BSI4 WH
- CSW-BSI6 WH<sup>4)</sup>



### Mushroom 40 mm

- CSW-BC0 WH
- CSW-BC1 WH
- CSW-BC2 WH
- CSW-BC3 WH
- CSW-BC4 WH
- CSW-BC5 WH



### Mushroom with Latch - Twist to Release

- CSW-BCT0 WH
- CSW-BCT1 WH
- CSW-BCT2 WH
- CSW-BCT3 WH
- CSW-BCT4 WH
- CSW-BCT5 WH



### Mushroom with Key

- CSW-BCY0 WH
- CSW-BCY1 WH
- CSW-BCY2 WH
- CSW-BCY3 WH
- CSW-BCY4 WH
- CSW-BCY5 WH



### Illuminated Mushroom

- CSW-BCI0 WH
- CSW-BCI1 WH
- CSW-BCI2 WH
- CSW-BCI3 WH
- CSW-BCI4 WH
- CSW-BCI6 WH<sup>4)</sup>



## Emergency Stop Pushbuttons - IEC 60497-5-5, ISO 13850 (EN 418)

### Turn-To-Release

- CSW-BESG WH (standard)
- CSW-BESGS WH (side signaling)
- CSW-BESGM WH (with latch)



### Pull-To-Release

- CSW-BESP WH (standard)
- CSW-BESPS WH (side signaling)
- CSW-BESPM WH (with latch)



### Key Release

- CSW-BESY WH (standard)
- CSW-BESYS WH (side signaling)
- CSW-BESYM WH (with latch)



## Pushbuttons - IP66

Emergency Stop Pushbuttons - IEC 60497-5-5, ISO 13850 (EN 418)

Emergency Pushbuttons With Latch



CSW-BESPM WH

CSW-BESGM WH

CSW-BESYM WH

## Pushbuttons - IP40

Illuminated

LETTERING		LETTERING		LETTERING	
I		CSW-BD WH		+	CSW-BD55PN WH
0		CSW-BD10 WH		-	CSW-BD55FR WH
START		CSW-BD12SS WH		↑	
STOP		CSW-BD05SS WH		↓	
		CSW-BD12 WH		⊕	
		CSW-BD05 WH		⊖	



Main Certifications



## Change-Over Switches - IP66

Knob - 2 Positions<sup>1)</sup>



Fixed

- CSW-CK2F45 WH
- CSW-CK2F90 WH

Return

- CSW-CK2R45 WH
- CSW-CK2R90 WH

2 Positions Illuminated Selectors



Fixed

- CSW-CKI2F900 WH
- CSW-CKI2F901 WH
- CSW-CKI2F902 WH
- CSW-CKI2F903 WH
- CSW-CKI2F904 WH
- CSW-CKI2F906 WH<sup>2)</sup>

Lever - 2 Positions<sup>1)</sup>



Fixed

- CSW-CA2F45 WH
- CSW-CA2F90 WH

Return

- CSW-CA2R45 WH
- CSW-CA2R90 WH

Knob with Key - 2 Positions<sup>1)</sup>



Fixed

- CSW-CY2F45 WH
- CSW-CY2F90 WH

Return

- CSW-CY2R45 WH
- CSW-CY2R90 WH

		Diagram					Flange
Handle position	Mounting position in the flange	-	2	3	1	-	
							5P
	I						
	II						

# Front Parts of the Command and Signaling Line - Installation Holes (Ø22 mm)

## Change-Over Switches - IP66

### Knob - 3 Positions<sup>1)</sup>



Fixed

CSW-CK3F45 WH

Return to the Center

CSW-CK3R45 WH

Return to the Left

CSW-CK3RE45 WH

Return to the Right

CSW-CY3R45 WH

### Lever - 3 Positions<sup>1)</sup>



Fixed

CSW-CA3F45 WH

Return to the Center

CSW-CA3R45 WH

Return to the Left

CSW-CA3RE45 WH

Return to the Right

CSW-CY3RD45 WH

Diagram						
Handle position	Mounting position in the flange					Flange
	-	2	3	1	-	
I	■	■				
0			☼			
II				■	■	
	4	2	5	1	3	5P

### Knob with Key - 3 Positions<sup>1)</sup>



Fixed

CSW-CY3F45 WH

Return to the Center

CSW-CY3R45 WH

Return to the Left

CSW-CY3RE45 WH

Return to the Right

CSW-CY3RD45 WH

### 3 Positions Illuminated Selectors



Fixed

CSW-CKI3F450 WH

CSW-CKI3F451 WH

CSW-CKI3F452 WH

CSW-CKI3F453 WH

CSW-CKI3F454 WH

CSW-CKI3F456 WH<sup>2)</sup>

Return to the Center

CSW-CKI3R450 WH

CSW-CKI3R451 WH

CSW-CKI3R452 WH

CSW-CKI3R453 WH

CSW-CKI3R454 WH

CSW-CKI3R456 WH<sup>2)</sup>

Return to the Left

CSW-CKI3RE450 WH

CSW-CKI3RE451 WH

CSW-CKI3RE452 WH

CSW-CKI3RE453 WH

CSW-CKI3RE454 WH

CSW-CKI3RE456 WH<sup>2)</sup>

Return to the Right

CSW-CKI3RD450 WH

CSW-CKI3RD451 WH

CSW-CKI3RD452 WH

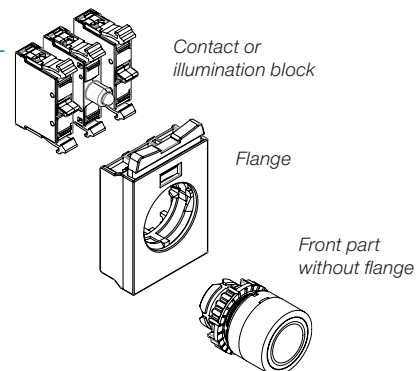
CSW-CKI3RD453 WH

CSW-CKI3RD454 WH

CSW-CKI3RD456 WH<sup>2)</sup>

### How to order

- Frontal
- + Flange
- + Contact block
- + Illumination block



## Pilot Lights - IP66

### Pilot Lights - IP66



CSW-SD0 WH

CSW-SD1 WH

CSW-SD2 WH

CSW-SD3 WH

CSW-SD4 WH

CSW-SD6 WH<sup>2)</sup>

Notes: 1) Change-over switches in other colors, on request only;  
2) For a better performance, use a yellow LED block.

## Accessories - Mounting in Flanges - Blue

### Contact Blocks<sup>1)</sup>



BC01F-CSW 1 NC  
 BC10F-CSW 1 NO  
 BCA10F-CSW 1 NOa (advanced)  
 BCR01F-CSW 1 NCd (delayed)

### Self-Monitoring Contact Block



BCM01F-CSW 1 Nc (monitoring of the mechanical assembly of the pushbuttons CSW-BES)

### Illumination Blocks with Integrated LED



○ CSW-BIDLF-0♦ E25 - 12 V ac/dc  
 ● CSW-BIDLF-1♦ E26 - 24 V ac/dc  
 ● CSW-BIDLF-2♦ E27 - 48 V ac/dc  
 ● CSW-BIDLF-3♦ D61 - 110-130 V ac  
 ● CSW-BIDLF-4♦ C13 - 125 V dc  
 ● CSW-BIDLF-4♦ D66 - 220-240 V ac

### Voltage Step-Down Blocks



CSW-BRT2F Application voltage: 220 V dc. Use with LED illumination block model: CSW-BIDLF\_C13 (125 V dc)

CSW-BRT4F Application voltage: 380-460 V ac. Use with LED illumination block model: CSW-BIDLF\_D66 (220-240 V ac)

### Illumination Block Ba9s with Lamp + Resistor + Diode



CSW-BIRDF-D66  
 (Power supply 220-240 V ac)

### Socket Block for Light Bulb Ba9s



CSW-BIDF  
 Maximum voltage 380 V / 2 W

### Push-On/Push-Off Block



CSW-BRF-3P  
 Note: Use only with:  
 ■ BC01F (1 NC)  
 ■ BCA10F (1 NO - advanced)

### Flange for Installation of the Contact and Illumination Blocks



AF3F (3 positions)



AF5F (5 positions)

### Set of Door Tabs and Plastic Tabs 27 x 18 mm



Black and red tab  
 APP30

Transparent tab  
 APP30T

APP60 (double headed pushbuttons)

APP60T (double headed pushbuttons)

### Incandescent Lamps



L6VI-E48-0,6 W (6 V ac/dc)  
 L12VI-E25-1,8 W (12 V ac/dc)  
 L24VI-E26-2 W (24 V ac/dc)  
 L48VI-E27-2 W (48 V ac/dc)  
 L60VI-E28-1,2 W (60 V ac/dc)  
 L130VI-E30-2 W (130 V ac/dc)  
 L220VI-E31-2 W (220 V ac/dc)

### Guard for Emergency Pushbutton



GBES

### Emergency Stop Plate



APE

### Reduction Ring Ø30 mm - Ø22 mm



AR30

Note: 1) Check the maximum number of contact blocks per front part on the catalog of the CSW line, model 50009820.

## Decentralized Control Stations - Hole Ø22 mm



PBW-1Y



PBW-2



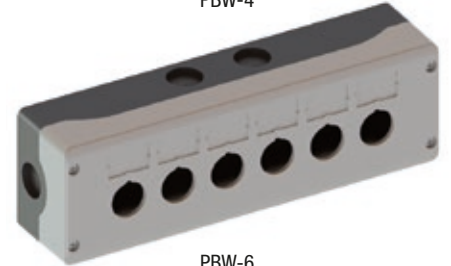
PBW-4



PBW-1



PBW-3



PBW-6

## PBW Line Accessories

### Contact Block



BC01B-CSW 1 NC  
BC10B-CSW 1 NO

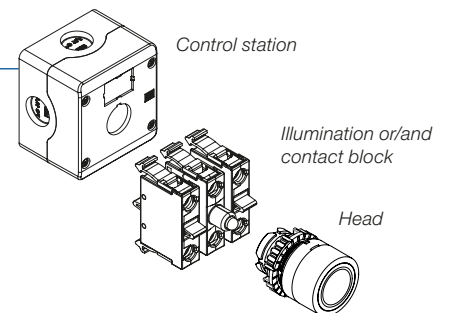
### Illumination Blocks with Integrated LED



○	CSW-BIDLB-0♦	E25 - 12 V ac/dc
●	CSW-BIDLB-1♦	E26 - 24 V ac/dc
●	CSW-BIDLB-2♦	E27 - 48 V ac/dc
●	CSW-BIDLB-3♦	D61 - 110-130 V ac
●	CSW-BIDLB-4♦	C13 - 125 V dc
●	CSW-BIDLB-4♦	D66 - 220-240 V ac

### How to order

- Head
- + Illumination or/and contact block
- + Control station



## Common Accessories

### Pushbutton Protection



APBF (flush and diffuse signal lights)  
APBI (flush illuminated and extended pushbuttons)  
APBD (double headed pushbuttons IP40)  
APB2D (double headed pushbuttons IP66)  
APB2T (triple headed pushbuttons IP66)

### Hole Plug



Round plug for unused Ø22 mm holes